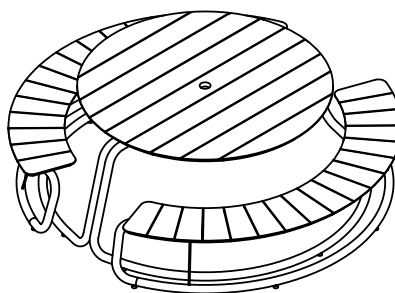




ASSEMBLY INSTRUCTIONS

WÜNDER®



THE CIRCLE

Round, robust and ravishing. The Circle comfortably seats 8 to 10 people for a cosy heart-to-heart in style. This round table literally - and thus figuratively - brings people together. Cosiness guaranteed, for many years to come.

REQUIRED

- 2 people
- A pair of scissors
- Hex key 10 mm
- Electric screwdriver PZ2 bit
- Nut wrench 13 mm

IN THE PACKAGE

- Assembly instructions
- Table leg - 2 pieces
- Table top - 1 piece
- The Bow - 2 pieces
- Box with connectors and accessories

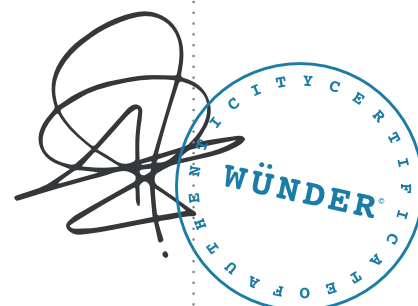
OPTIONAL TOOLS

- Sandpaper P120 for wood finishing

CONTACT

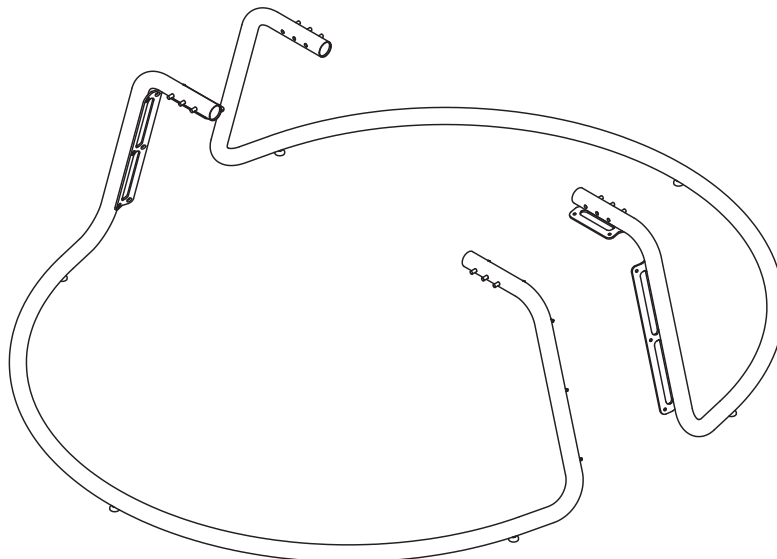
Questions, comments or suggestions regarding our products or our website? Feel free to get in touch with us!

Wünder - Ovenhoek 5, 8800 Roeselare, Belgium
+32 51 79 17 31 - info@wunder.be

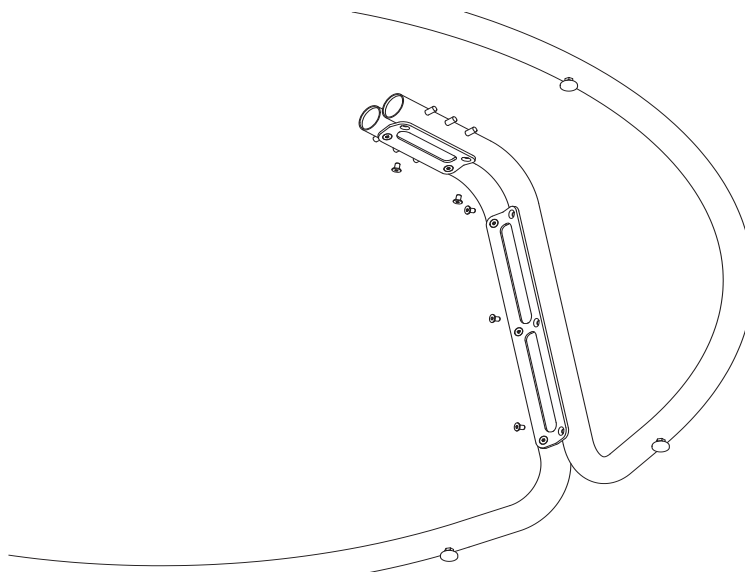


01

- Place the table legs opposite each other, preferably on a flat surface.
- If necessary turn the levelling feet in or out to level the parts.

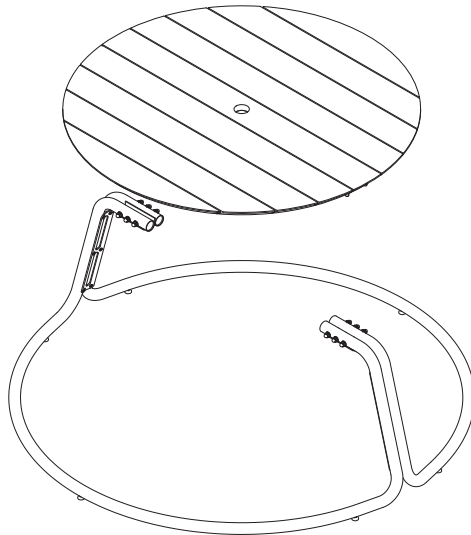
**02**

- Screw on the mounting brackets, using the countersunk M8 bolts and a 10 mm hex key.
- The bolts should turn smoothly in the threads, otherwise there is a risk of damaging the threads.
- Wait to fully tighten the bolts until step 5.



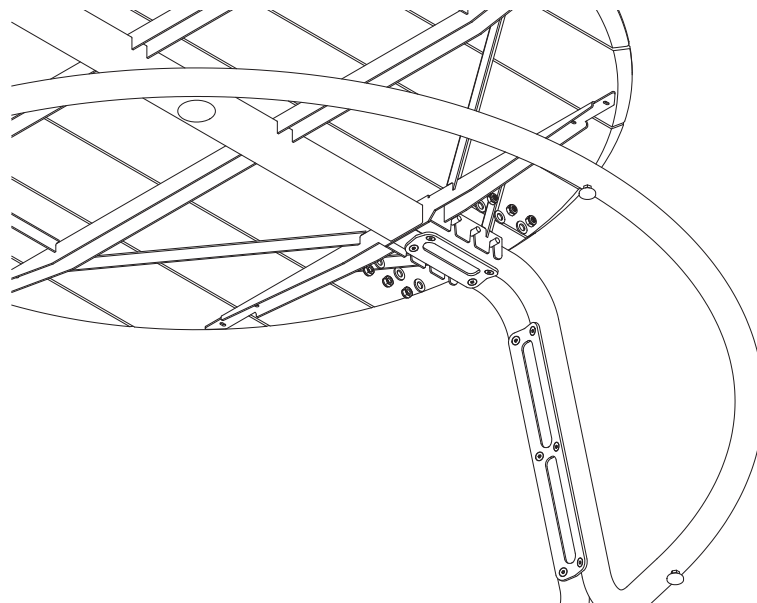
03

- Place the table top on top of the underframe.
- Make sure the top is firmly on the underframe. If necessary, use a tension clamp or place a weight on the table top.



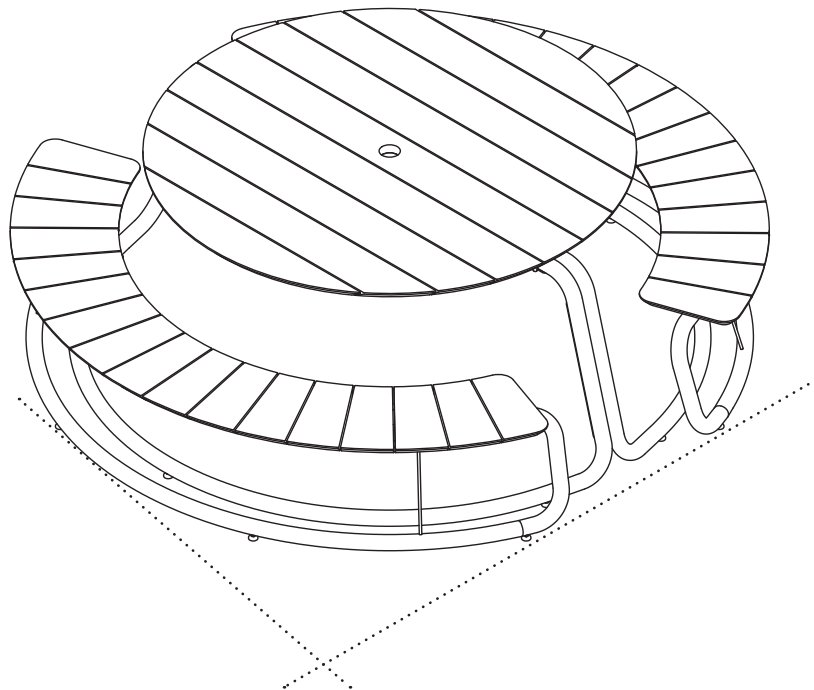
04

- Place the washers and M10 lock nuts on the threaded rods.
- Now the rest can also be tightened.



05

- Determine the exact location of The Circle.



06

- First turn all levelling feet fully inwards.
- Check if there are any levelling feet that do not touch the floor by turning them until they just touch the floor.
- Whenever The Circle is moved, it is advisable to check the levelling feet again.

